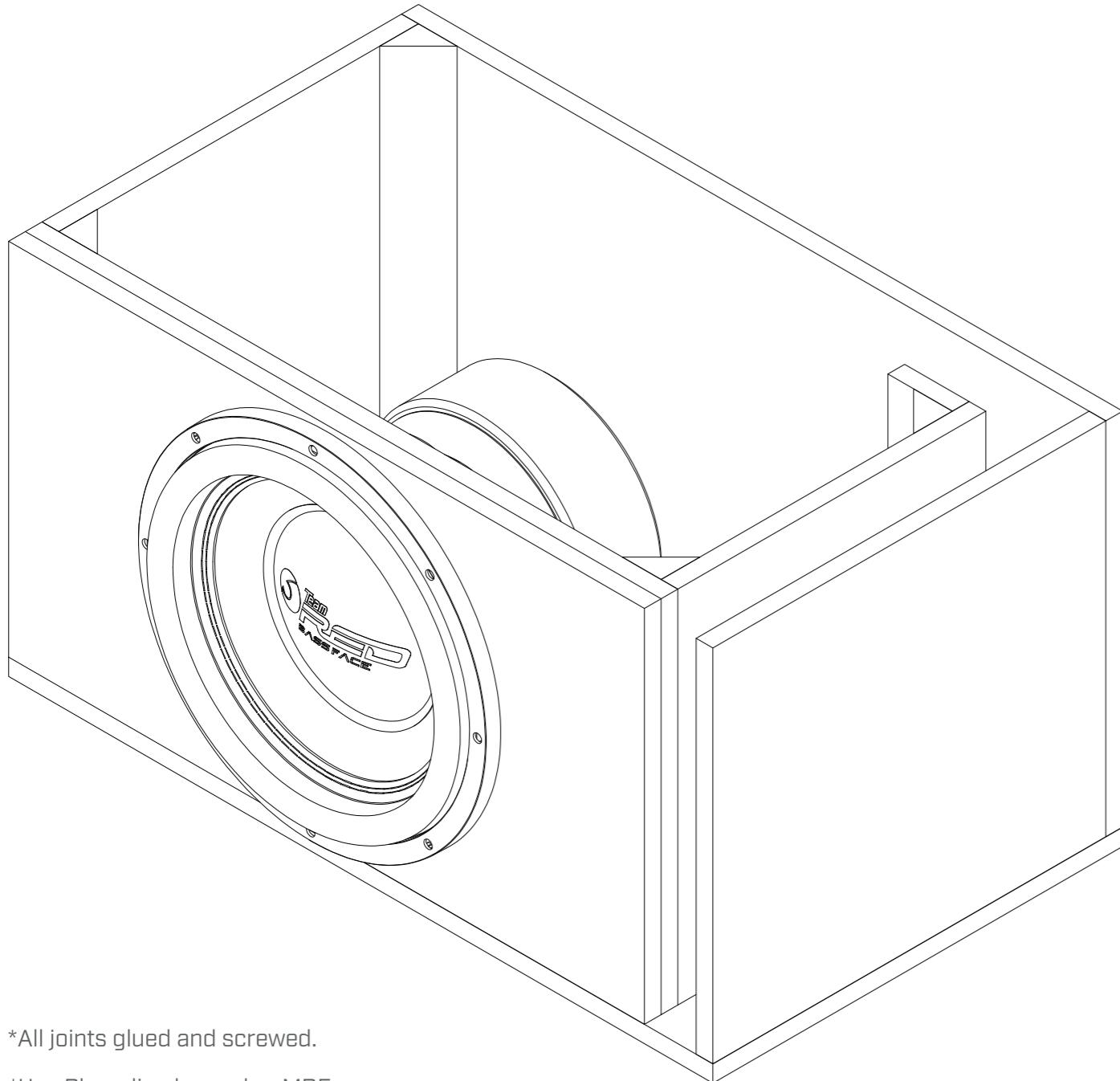




BASSFACE

TEAM RED 15 VENTED ENCLOSURE PROJECT

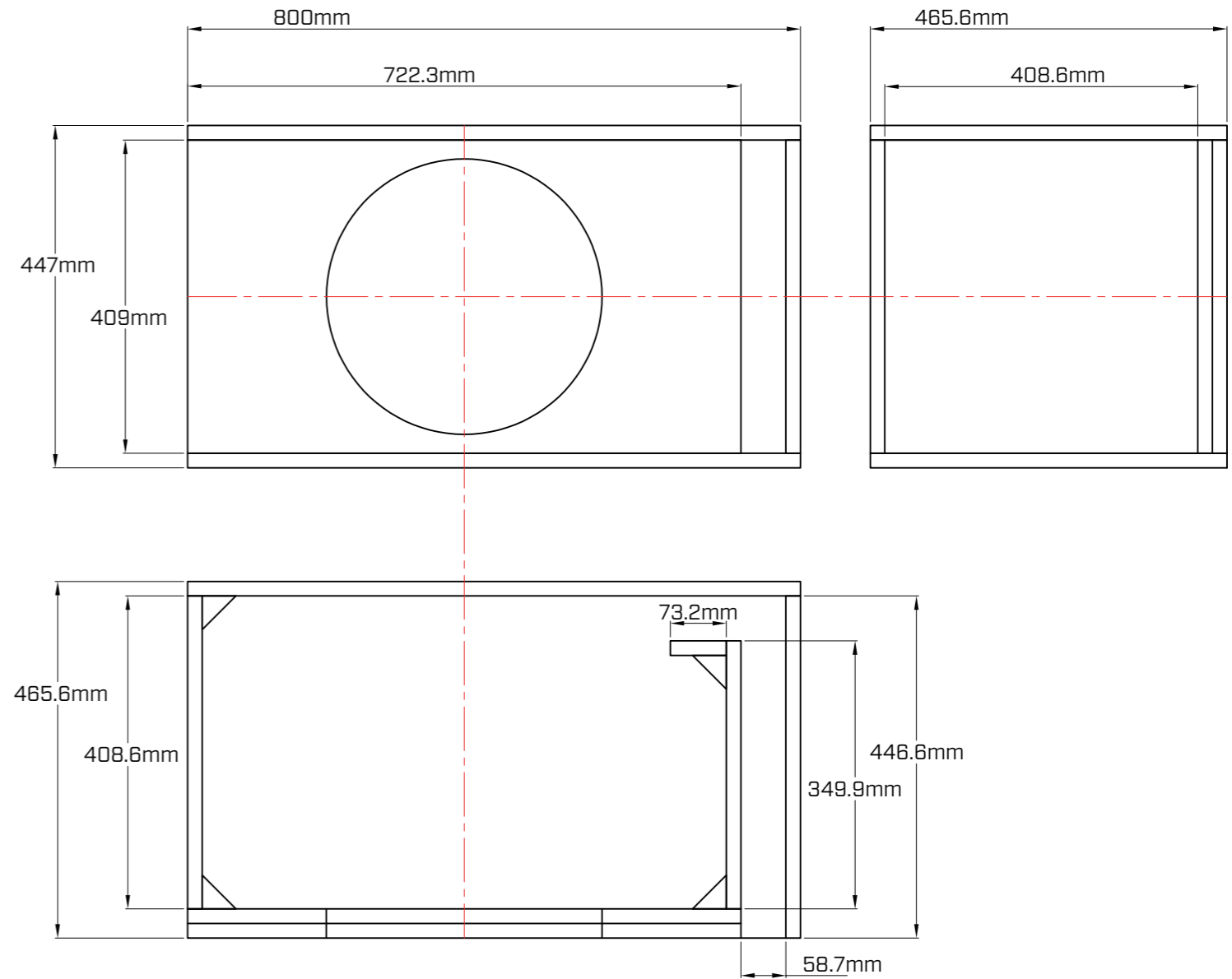


*All joints glued and screwed.

*Use Phenolic plywood or MDF.

*Seal all joint lines before use with silicone.

*Do not secure the woofer with self tapping screws. Use T nuts or captive nuts.



Parameter	Value	
Box External Dimension (W*H*D)	800*447*465.6 mm	
Material Thickness	19 mm	
Net Internal Volume	110 L	
Turning Frequency	30 Hz	
Port Area	240 cm ²	
Port Inlet (W*H)	58.7*409 mm	
Port Length	538.8mm	
Details	Size	Quantity
Top/Bottom	800*465.6 mm	2
Front	722.3*409 mm	1
Rear	800*409 mm	1
Left	408.6*409 mm	1
Right	446.6*409 mm	1
Port	349.9*409 mm	1
Port	73.2*409 mm	1
Triangulation Plate	44*44*62.23*409 mm	4